

Candide Close Coupled WC Pan

18150W

Product Description: Candide close coupled WC pan

Required Items: 18151W-00 Cistern dual flush 3/6L
8094K-00 Standard seat
E70008-00 Slow close seat

Product Dimensions: 683 mm Projection

Colour/Finish: White

Material: Vitreous China

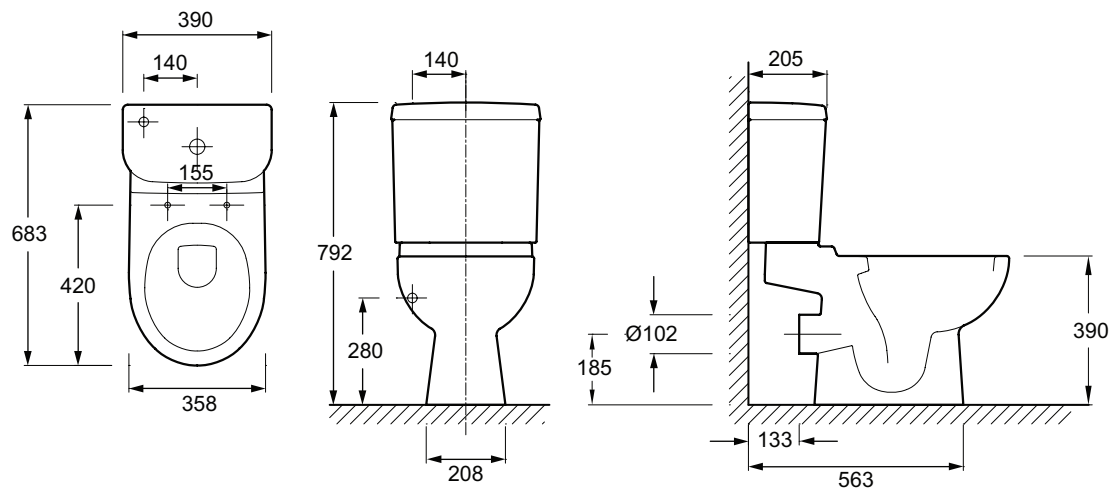
Product Weight (kg): WC Pan: 22
Cistern: 14.5

Guarantee (Years): 25

Additional Information: Most toilet bowl cleaners are safe to use on vitreous china. Follow label directions and use toilet bowl cleaners on the inside of the bowl only. Do not use in-tank toilet cleaners as they damage the flush valve and other working parts.



Dimensions (mm)

**Kohler UK**

Sales and Technical:

+44 (0) 844 571 0048 (Calls cost 7p per minute plus your phone company's access charge)

info@kohler.co.uk

www.KOHLER.co.uk

THE BOLD LOOK
OF **KOHLER**®